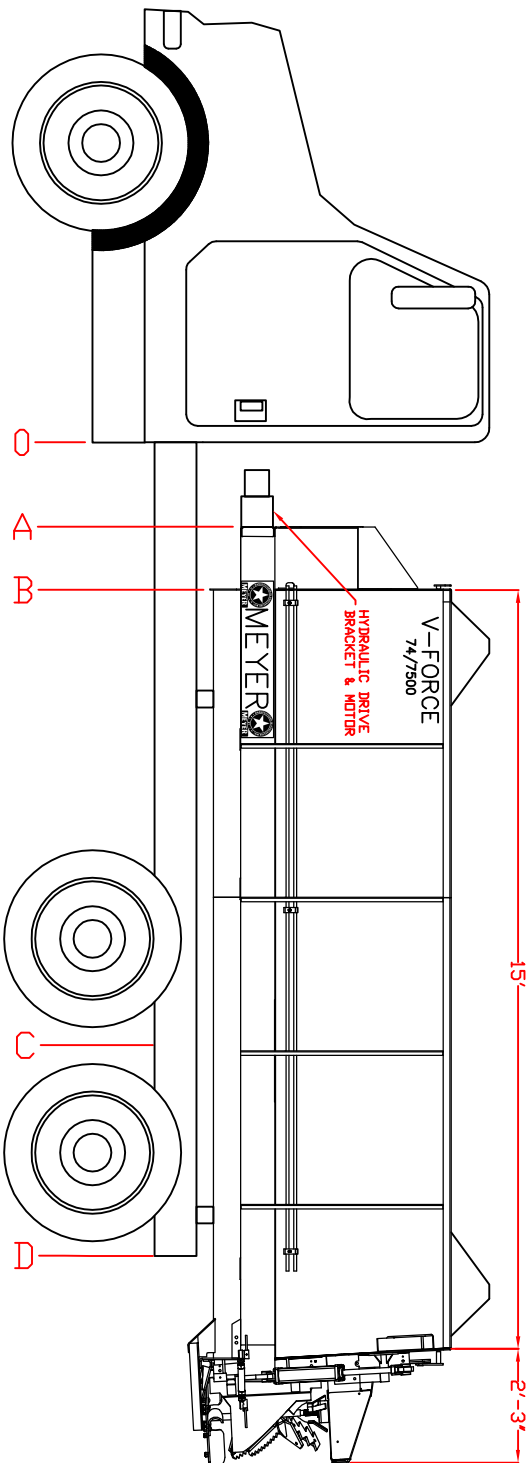


HYDRAULIC WET KIT OR TRUCK PTO PROVIDED BY CUSTOMER

DIMENSIONAL DATA FOR TRUCK MOUNTED V-FORCE MANURE SPREADERS



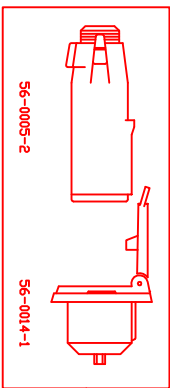
| SIZE    | A   | B   | C    | D    |
|---------|-----|-----|------|------|
| 74/7500 | 28" | 43" | 151" | 201" |

TRUCK PTO REQUIREMENTS-(DIRECT OR HYDRAULIC DRIVE)  
TRUCK PTO-300 FT/LBS INTERNAL TORQUE MINIMUM

HYDRAULIC DRIVE REQUIREMENTS  
PUMP REQUIREMENTS OF 3250-3400 PSI CONTINUOUS AT A MAXIMUM OF 40 GAL./MIN. @ 1900-2000 ENGINE RPM  
MANIFOLD RELIEF INSTALLED AND SET AT 3250 PSI  
RESERVOIR CAPACITY-80 GALLON MINIMUM (W/OIL) W/INLINE COOLER (CAPACITY 33 HP MIN. @ 40 GPM), 130 GALLONS (W/OIL) WITHOUT COOLER  
DIRECT DRIVE REQUIREMENTS

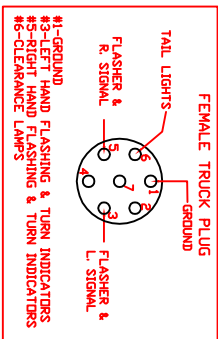
GEARBOX DRIVE SYSTEM (STANDARD)  
100% OF ENGINE SPEED TO REACH 1000 RPM INPUT AT SPREADER  
CHAIN DRIVE SYSTEM (OPTIONAL)  
60-80% OF ENGINE SPEED TO REACH 1000 RPM INPUT AT SPREADER  
#80 ROLLER CHAIN RECOMMENDED  
JACK SHAFT SPROCKET-AS REQUIRED  
V-MAX/FORCE DRIVE 80B24 (CLUTCH PACKAGE)

MEYER MANUFACTURING WILL NOT BE RESPONSIBLE FOR UNITS THAT ARE NOT SET UP ACCORDING TO THE SPECIFICATIONS ON THIS PAGE. SYSTEM FAILURE COULD OCCUR ALONG WITH POOR PERFORMANCE.



**TAILLIGHT CONVERTER**  
DEPENDING ON MAKE AND MODEL OF TRUCK IT MAY BE NECESSARY TO INSTALL A LIGHT CONVERTER (MEYER PART #56-0028). CONVERTER ALLOWS SIGNAL LIGHTS AND BRAKE LIGHTS TO OPERATE ACCORDING TO DOT LIGHTING.

SUPPLY A 7-PIN MALE & FEMALE PLUG OFF THE REAR OF CAB FOR LIGHT HOOK-UP TO IMPLEMENT, LOCATED CENTRALLY BEHIND CAB, FROM MEYER ORDER 56-0005-2 & 56-0014-1.



|   |  |             |                                 |              |
|---|--|-------------|---------------------------------|--------------|
| DRAWN   | NAME   | DATE        | MATERIAL                        |              |
| JAA   | JAA  | 6/7/23/2009 | MEYER MFG CORP.                 |              |
| CHECKED   | UNLESS OTHERWISE SPECIFIED:<br>DIMENSIONS ARE IN INCHES<br>TOLERANCES:<br>FRACTIONAL ±1/32"<br>ANGULAR: MACH ±<br>TWO PLACE DECIMAL ±0.020"<br>THREE PLACE DECIMAL ±0.015" |             | TITLE:<br>SV74/7500 TRUCK MOUNT |              |
| PROPRIETARY AND CONFIDENTIAL<br>THE INFORMATION CONTAINED IN THIS DRAWING IS THE SOLE PROPERTY OF MEYER MFG CORP. ANY REPRODUCTION IN PART OR AS A WHOLE WITHOUT THE WRITTEN PERMISSION OF MEYER MFG CORP. IS PROHIBITED. |  |             | SIZE                            | REV          |
|   |  |             | A                               | —            |
| SCALE: 1:1  |  |             | WEIGHT:                         | SHEET 1 OF 1 |